

# Quay Fixed Dining Table

## Assembly Instructions

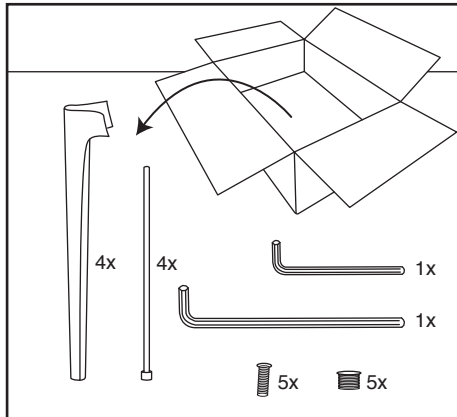


Two people are required for safe assembly.

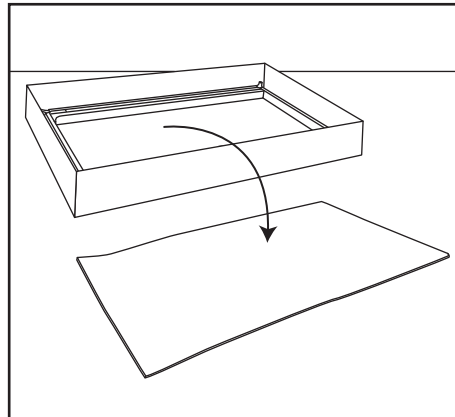
### Opening Boxes

DO NOT use a knife to open the King Living boxes as you may damage your furniture. Peel off the tape, then lift & separate the cardboard flaps to open.

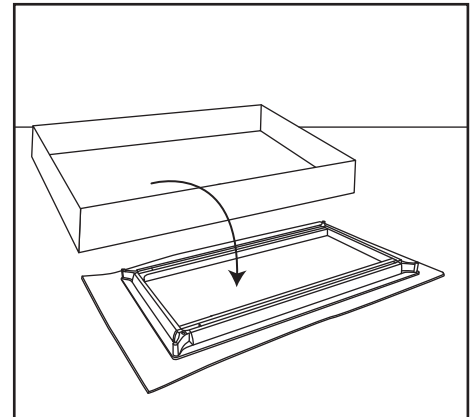
Assemble your furniture by following the steps below.



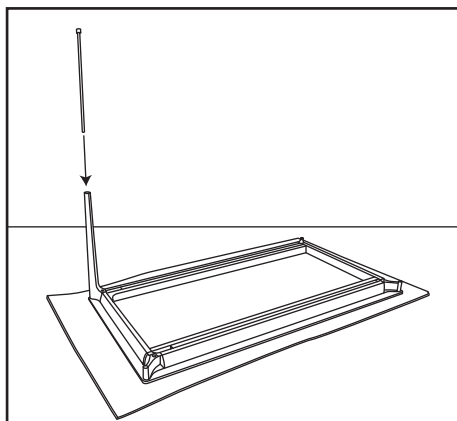
1.



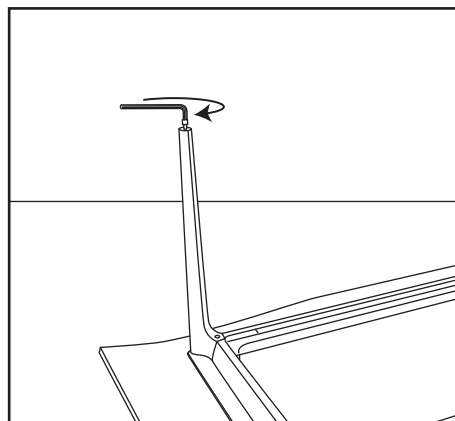
2.



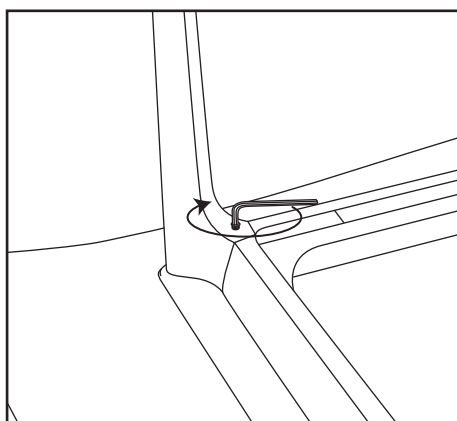
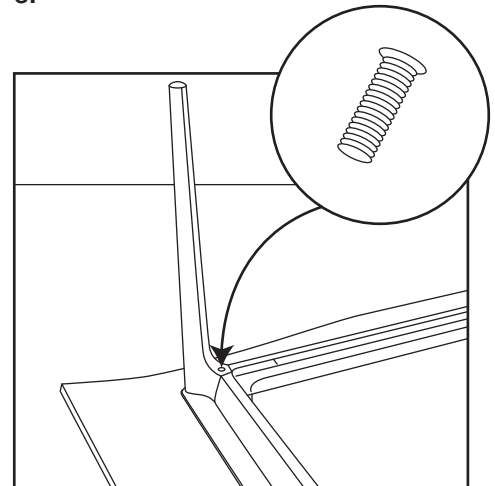
3.



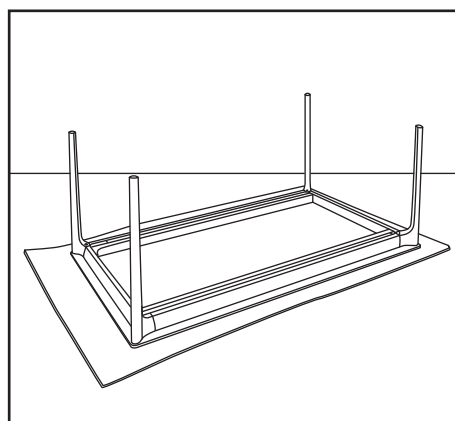
4.



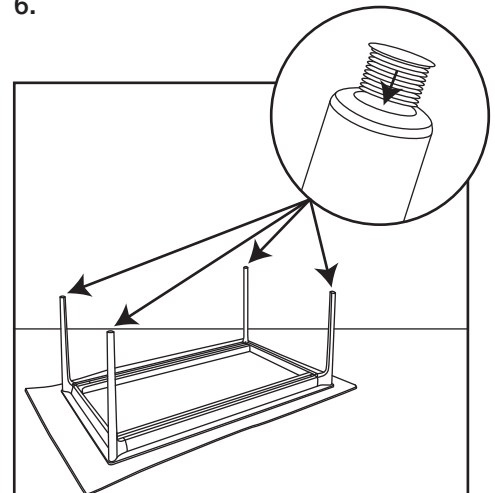
5.

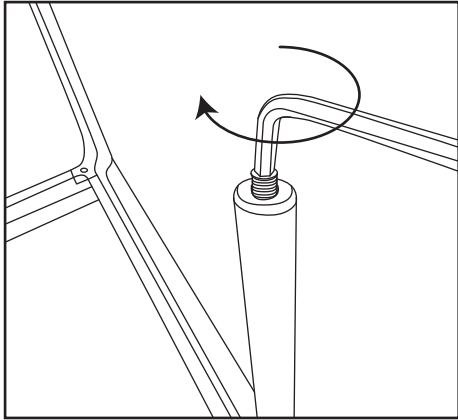


7.

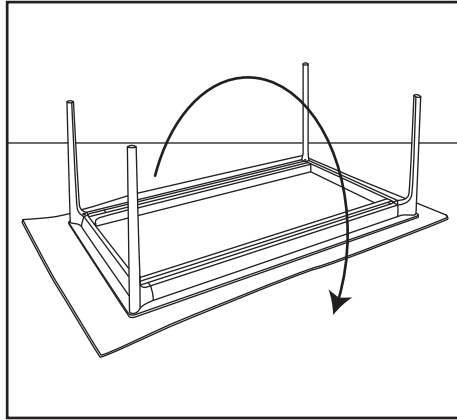


8.

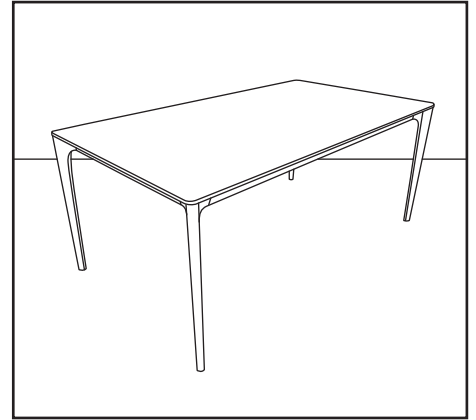




10.

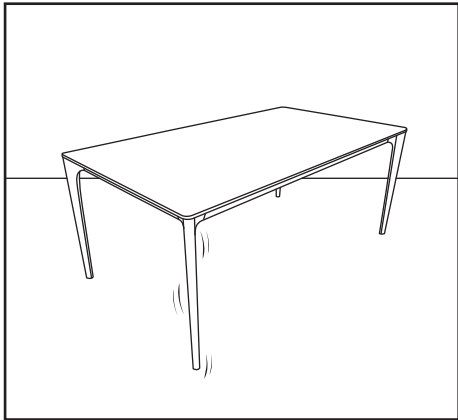


11.

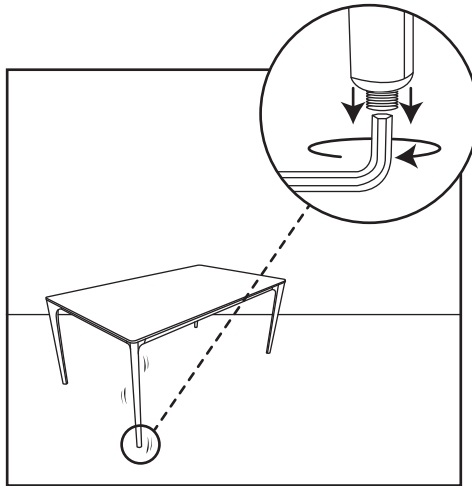


12.

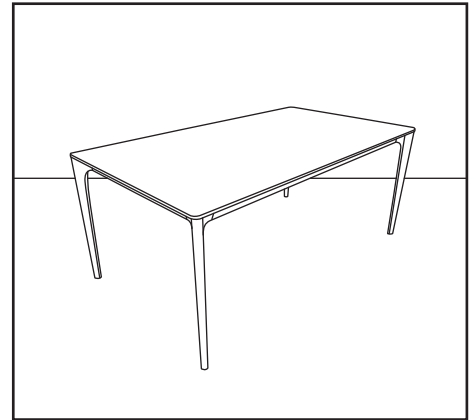
### Adjusting Leg Height



1.



2.



3.